

SLIDING WINDOW

www.eswindows.com

ES-MX2000



System description

- ES-MX2000 is an impact-rated sliding window.
- Small and large missile impact.
- 2 5/16" Frame depth.
- 3 5/16" Sill height.
- Configurations: XO, OX or XOX.
- Designed for 5/16" annealed and heat strengthened glass.

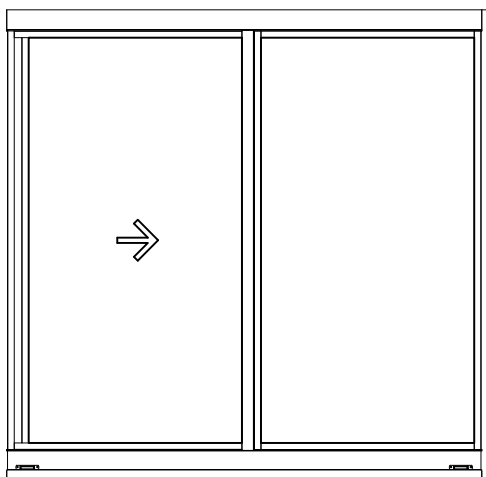
Features

- Flange and flush frame available.
- Low-E Solarban 70 available.
- PVB laminated glass with coating options available.
- White and bronze powder aluminum finishes.
- Screen option available.
- Sweep lock and vent latch handles available.

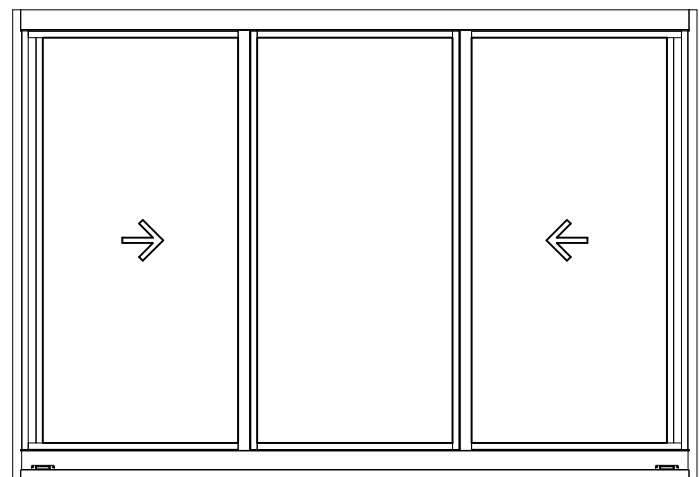
Test & Certifications

- Water infiltration: 12 psf.
- Design load:
+80/-90 (LMI) +82/-108 (SMI)

Configurations

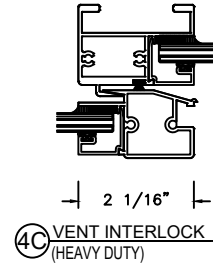
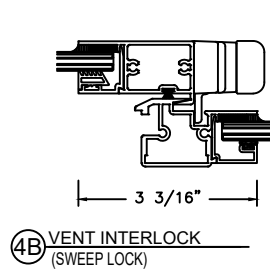
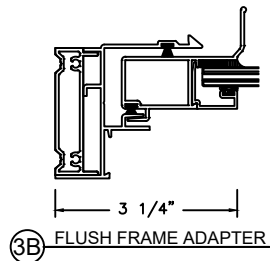
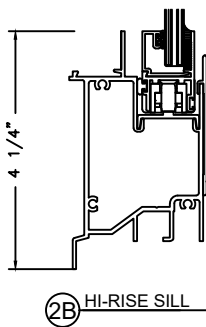
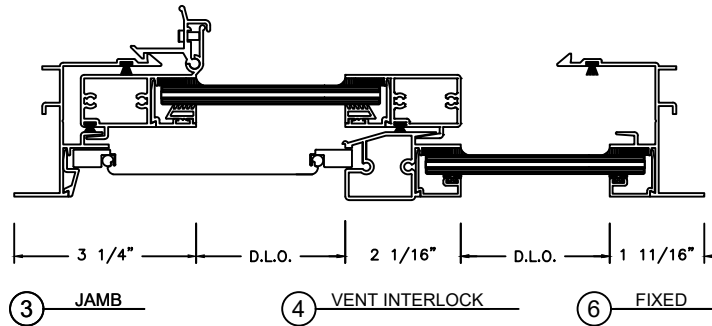
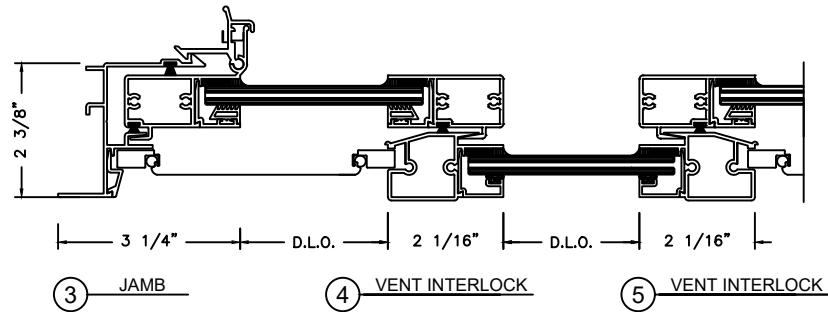
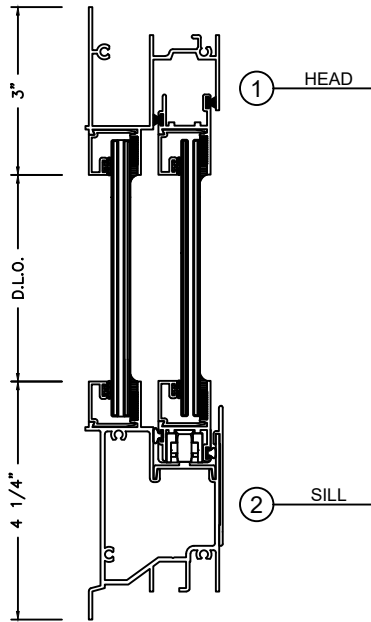
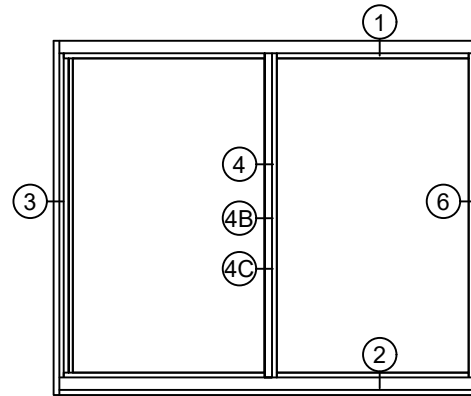
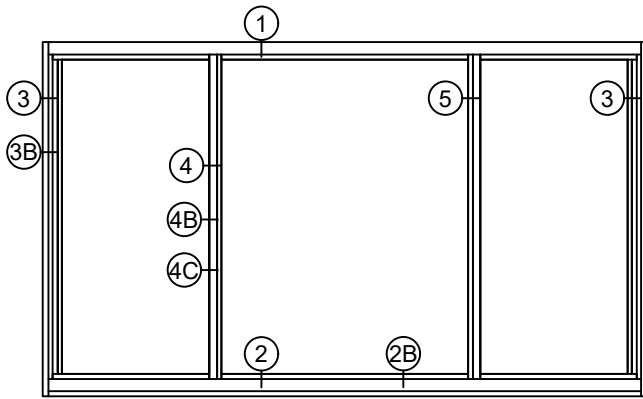


XO



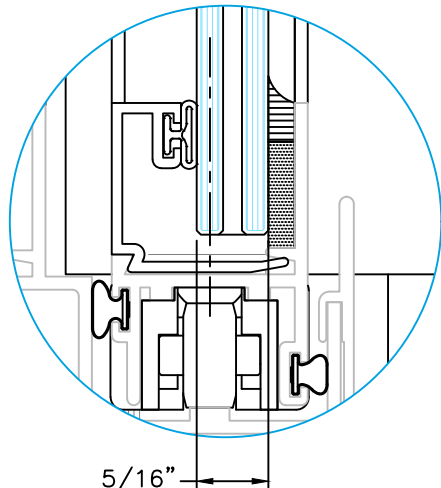
XOX

System details



Glazing options

Laminated glass



Designed for 5/16" laminated glass:

- 1/8" ann. glass + 0.090" dupton butacite PVB + 1/8" ann. glass.
- 1/8" heat stren'd glass + 0.090" dupont butacite PVB + 1/8" heat stren'd glass.

GLASS FINISH:

PAINTED, SERIGRAPHY, DIGITAL PRINTED

For more information please contact TECNOGLASS® or visit www.tecnoglass.com

Aluminum

ALLOY 6063

For further information about aluminum and finishes, consult ALUTIONS®.

Measurements

Maximum size: 111" x 63"
Minimum size: 20" x 20"

Sealant

APROVED SILICONE SEALS:

WEATHERPROOFING SILICONE:

Used to seal profile unions to avoid air and water infiltration.

- Dowsill 791
- Dowsill 1199

STRUCTURAL SILICONE:

Besides acting as a sealant it is capable to support high loads. This silicone is commonly used to support the glass in facades and hurricane resistant products.

- Dowsill 983
- Dowsill 995