

PRESTIGE GARAGE DOOR

www.eswindows.com

ES-PGD3040



System Description

- Captured glass garage door
- Heavy duty rollers
- Steel hinges and accessories
- Reinforced profile options available
- Heavy duty spring mechanism.

Features

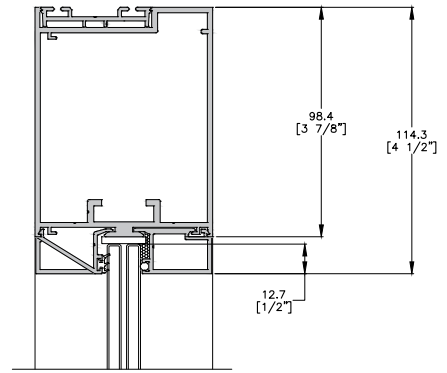
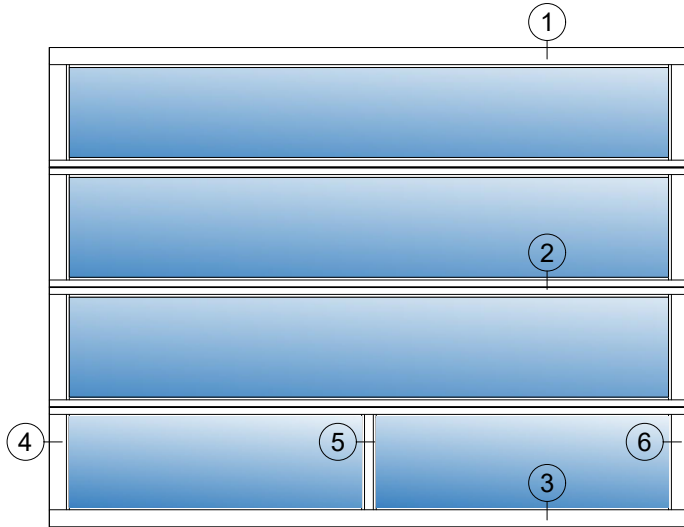
- Automatic motorized operation .
- Aluminum and glass finishes available.
- Elegant stylish design

Test

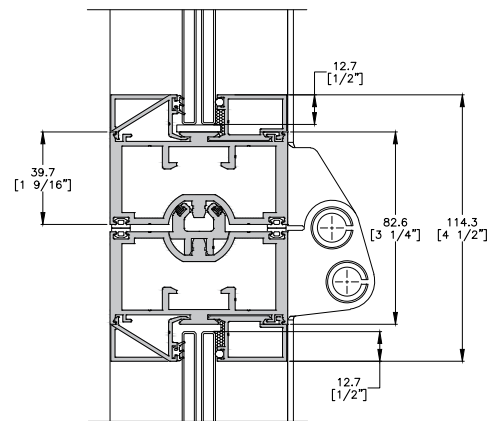
Design load: +60/-65 psf.

This data corresponds to the highest values for the system simulations and is subject to change.

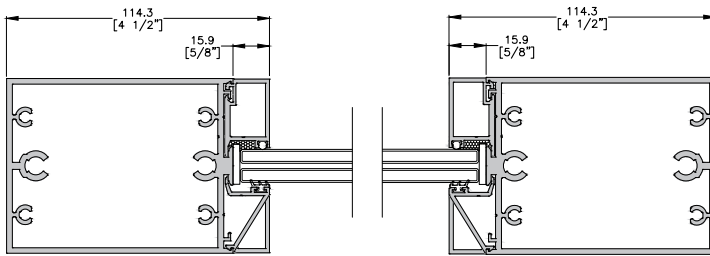
System details



1 TOP RAIL

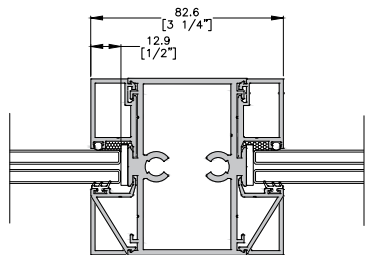


2 HORIZONTAL INTERMEDIATE

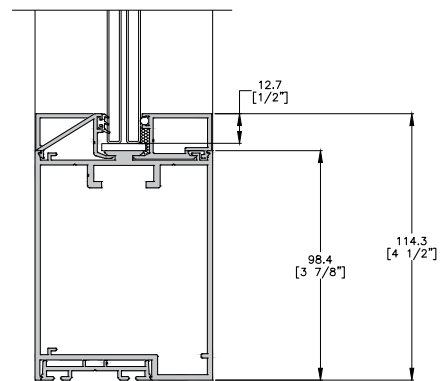


4 LEFT VERTICAL

6 RIGHT VERTICAL

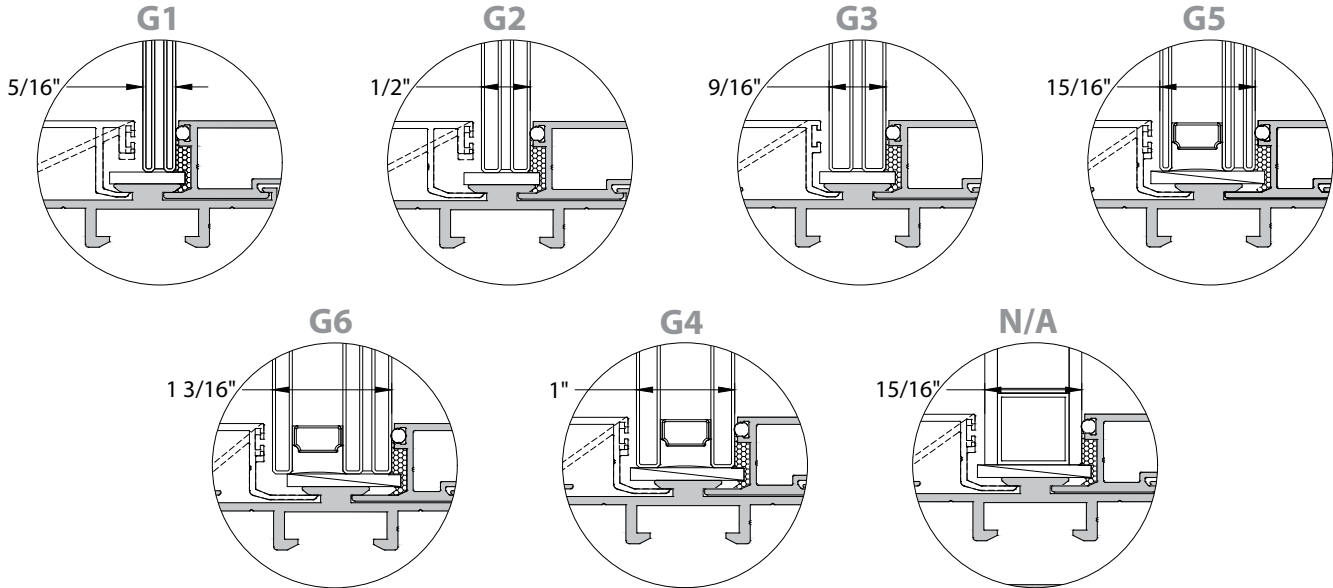


5 VERTICAL INTERMEDIATE



3 BOTTOM RAIL

Glazing options



- G1: 1/8" HS + 0.09" INTERLAYER + 1/8" HS
- G2: 3/16" HS + 0.09" INTERLAYER + 3/16" HS
- G3: 1/4" HS + 0.09" INTERLAYER + 1/4" HS
- G4: 1/4" HS + 1/2" SPACER + 1/4" HS
- G5: 1/8" HS + 1/2" SPACER + 1/8" HS + 0.09" INTERLAYER + 1/8" HS
- G6: 3/16" HS + 1/2" SPACER + 3/16" HS + 0.09" INTERLAYER + 3/16" HS
- N/A: 1/4" PANELEX + 1/2" SPACER + 1/4" PANELEX

GLASS FINISH: PAINTED, SERIGRAPHY & DIGITAL PRINTED.
 For more information please contact TECNOGLASS or visit www.tecnoglass.com

Aluminum

ALLOY 6063-T6
 ALLOY 6063-T5

For more information about aluminum and finishes consult ALUTIONS®.

Measurements

Maximum sizes:

- 144" Width x 112 1/2" Height (4 section door)
- 144" Width x 247 1/2" Height (9 section door)
- 194" Width x 112 1/2" Height (4 section door)
- 194" Width x 247 1/2" Height (4 section door)
- 240" Width x 112 1/2" Height (4 section door)
- 240" Width x 247 1/2" Height (4 section door)

Sealant

APPROVED SILICONE SEALS:

WEATHERPROOFING SILICONE:

Used to seal profile unions to avoid air and water infiltration.

STRUCTURAL SILICONE:

Besides acting as a sealant it is capable to support high loads. This silicone is commonly used to support the glass in facades and hurricane resistant products.

Certifications might not consider every configuration. Tests values correspond to the highest values obtained for some configurations; they can vary and may not apply to all. **VERIFY APPROVAL FOR EACH SPECIFIC CONFIGURATION.**