

ES-P300



System description

- Small and large missile impact rated.
- Frame depth: 3".
- Tested frame width up to: 60".
- Tested frame height up to: 96".
- Designed for 1" insulated and 1 - 3/16" insulated laminated glass.
- Fully thermally broken.

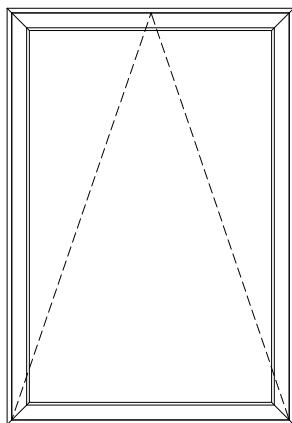
Features

- Multi point locking and roto-operator system option.
- Lever handle option.
- Interior trim or receptor installation.
- Retrofit design look.
- Flange option available.
- Anodized, painted and wood grain finishes available.

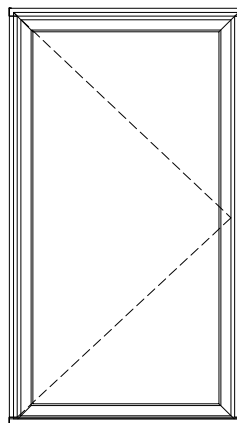
Test & Certifications

- Design loads: +80/-90 PSF.
 - Water infiltration: 15 PSF (N.I.), 12 PSF (L.M.I and S.M.I).
 - Air infiltration test: 6.24 PSF.
 - U-Value: 0.4 - 0.38 (See glass opt).
 - SHGC: 0.275 - 0.126 (See glass opt).
- This data corresponds to the highest values for the system simulations and is subject to change.

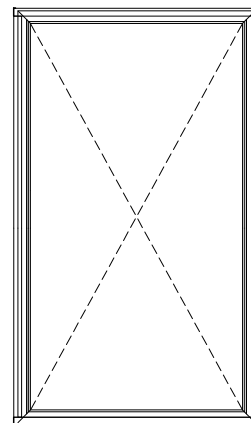
Configurations



Awning



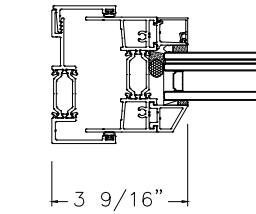
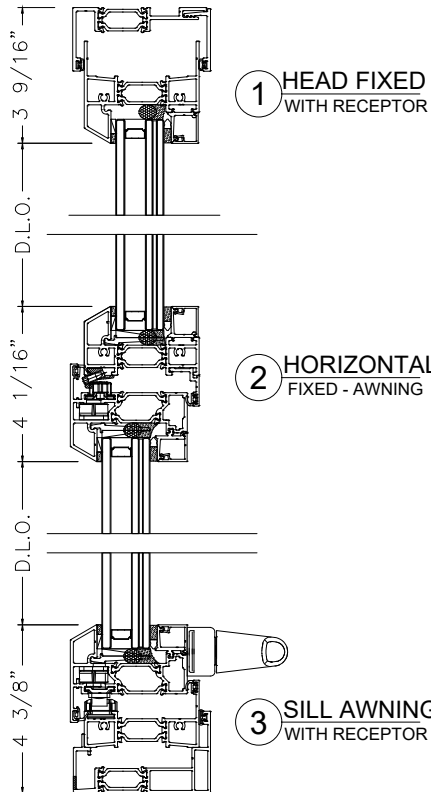
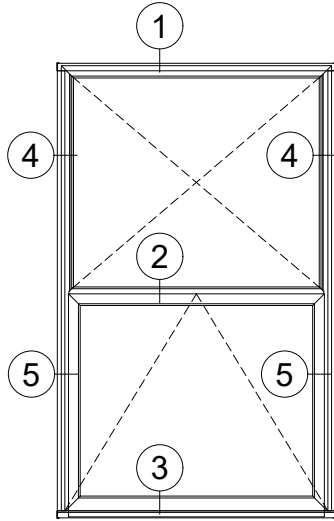
Casement



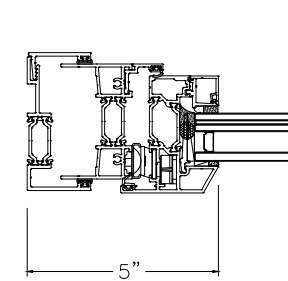
Fixed

System details

FIXED - AWNING



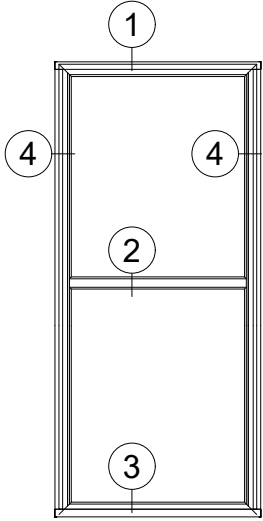
4 JAMB FIXED WITH RECEPTOR



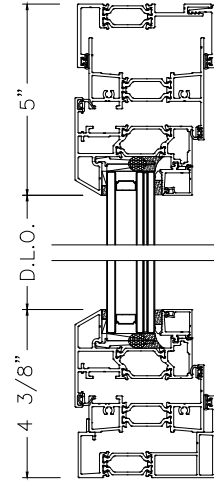
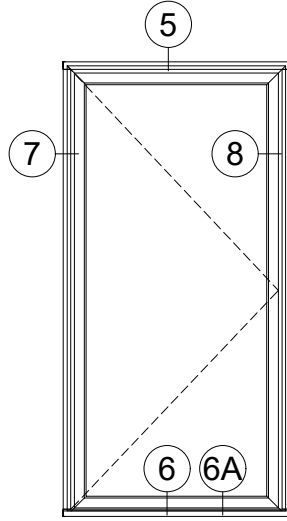
5 JAMB AWNING WITH RECEPTOR

System details

FIXED - FIXED

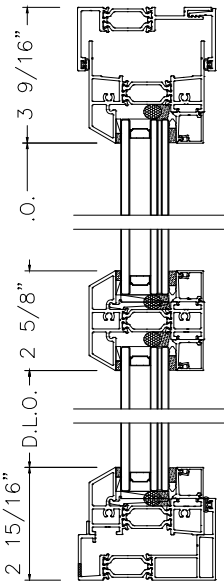


CASEMENT



5 HEAD CASEMENT WITH RECEPTOR

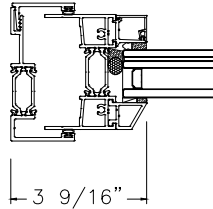
6 SILL CASEMENT WITH RECEPTOR



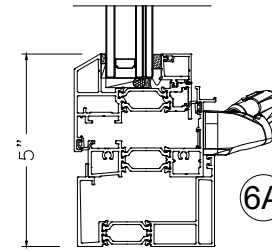
1 HEAD FIXED WITH RECEPTOR

2 HORIZONTAL FIXED - FIXED

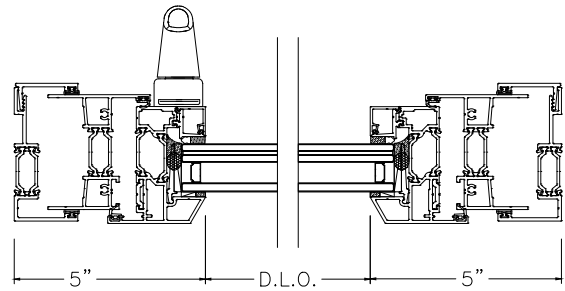
3 SILL FIXED WITH RECEPTOR



4 JAMB FIXED WITH RECEPTOR



6A SILL CASEMENT WITH RECEPTOR ROTO OPERATOR

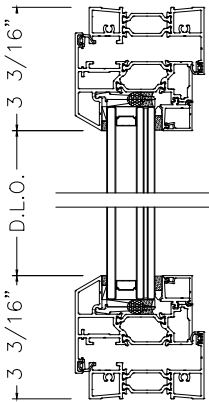
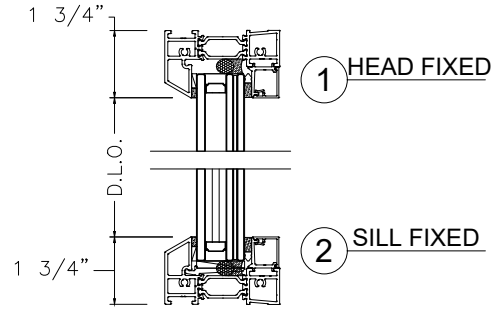
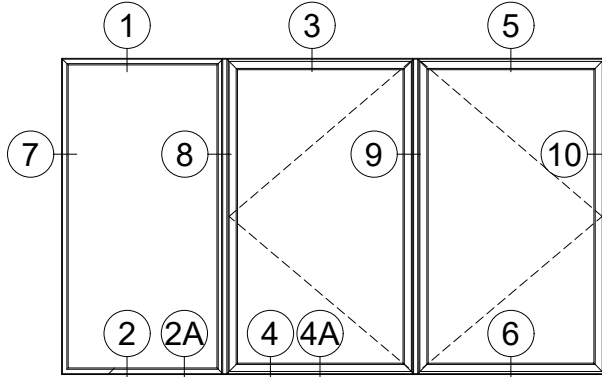


7 JAMB CASEMENT WITH RECEPTOR

8 JAMB CASEMENT WITH RECEPTOR

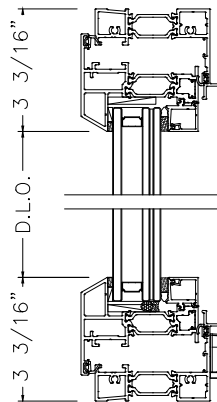
System details

FIXED - CASEMENT - CASEMENT



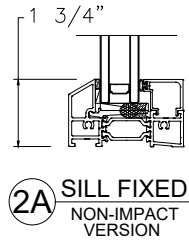
3 HEAD CASEMENT

4 SILL CASEMENT LEVER HANDLE OPTION

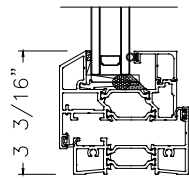


5 HEAD CASEMENT

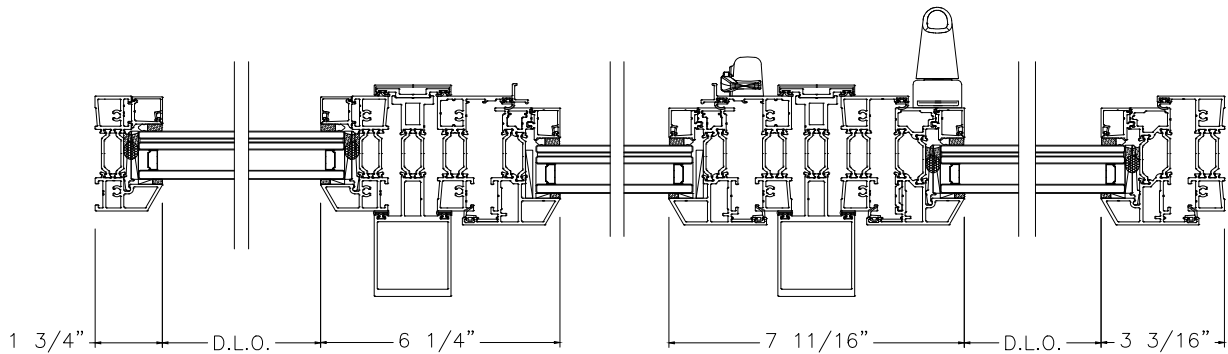
6 SILL CASEMENT OPERATOR OPTION



2A SILL FIXED NON-IMPACT VERSION



4A SILL CASEMENT NON-IMPACT VERSION



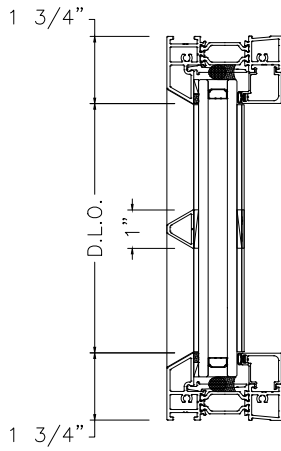
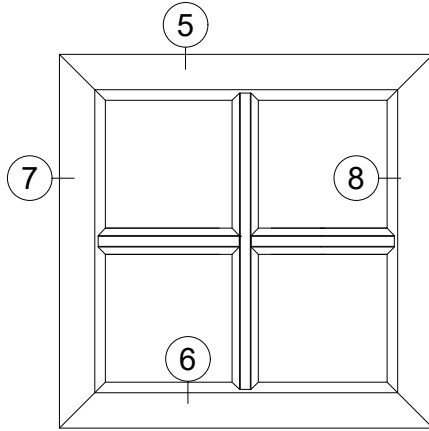
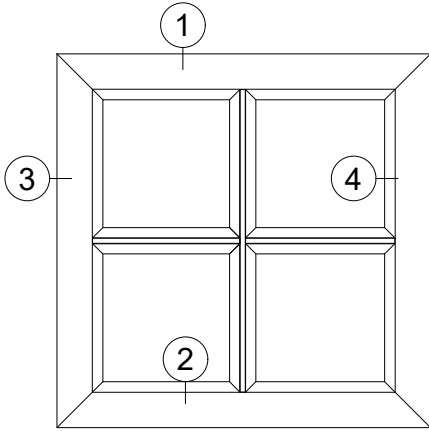
7 JAMB FIXED

8 MULLION FIXED - CASEMENT

9 MULLION CASEMENT - CASEMENT

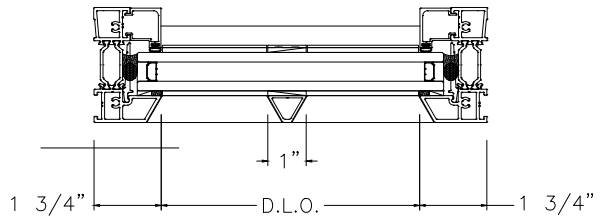
10 JAMB CASEMENT

System details



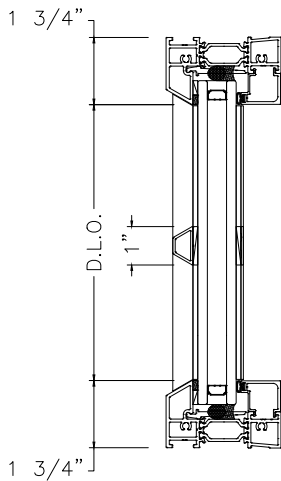
1 HEAD FIXED
NON-IMPACT
WITH MUNTIN

2 SILL FIXED
NON-IMPACT
WITH MUNTIN



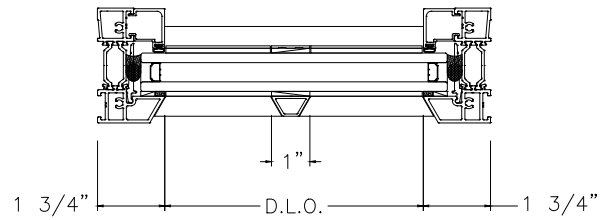
3 JAMB FIXED
NON-IMPACT
WITH MUNTIN

4 JAMB FIXED
NON-IMPACT
WITH MUNTIN



5 HEAD FIXED
NON-IMPACT
WITH MUNTIN

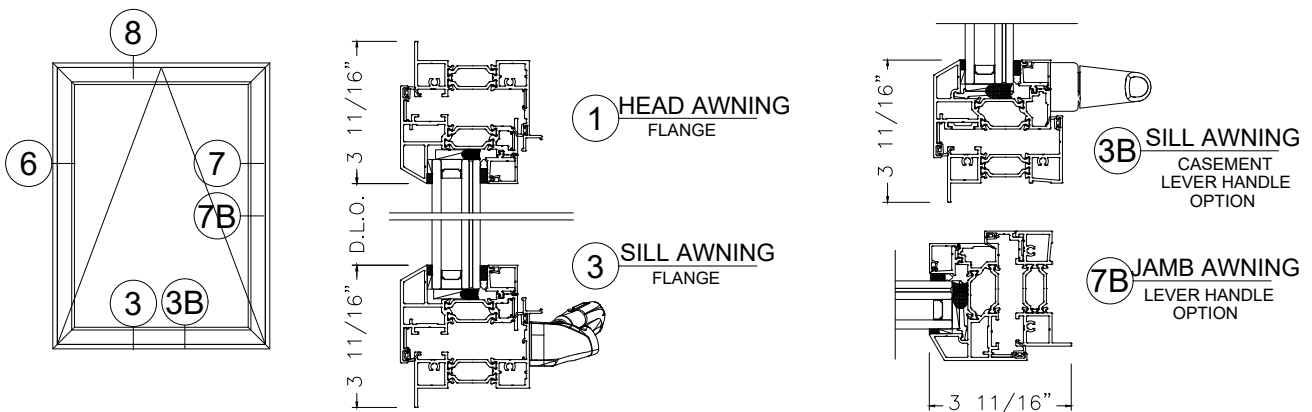
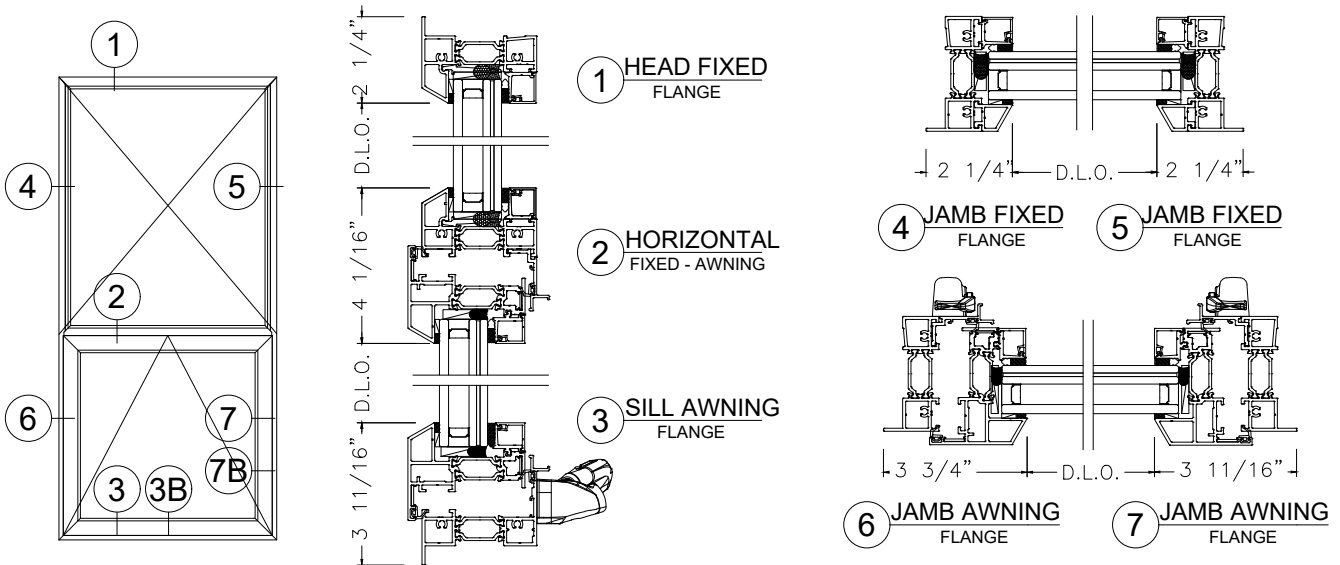
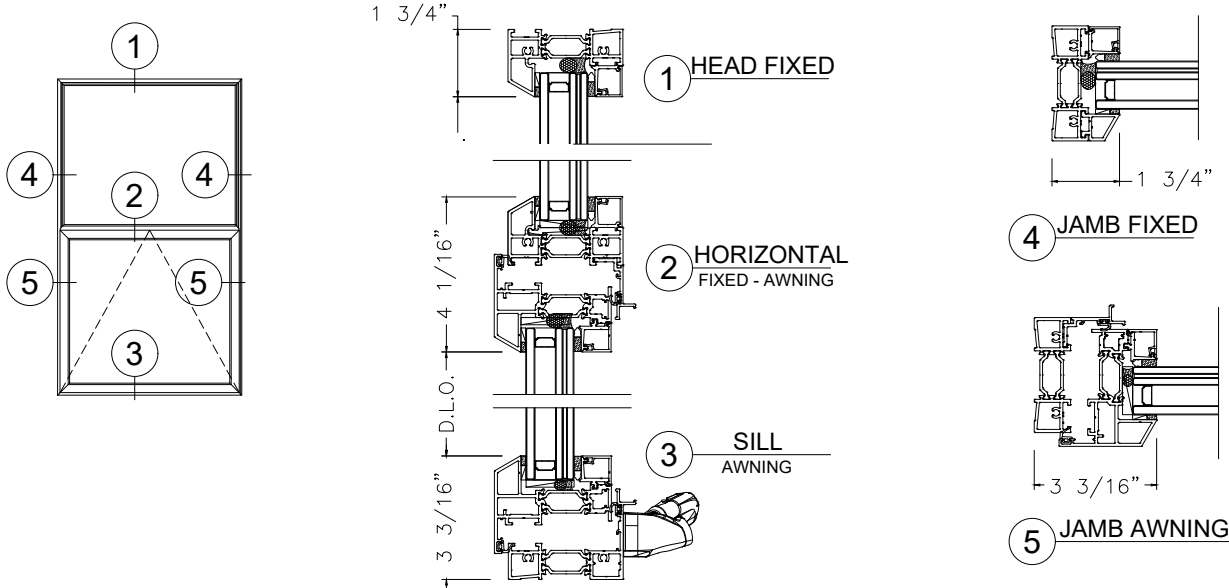
6 SILL FIXED
NON-IMPACT
WITH MUNTIN



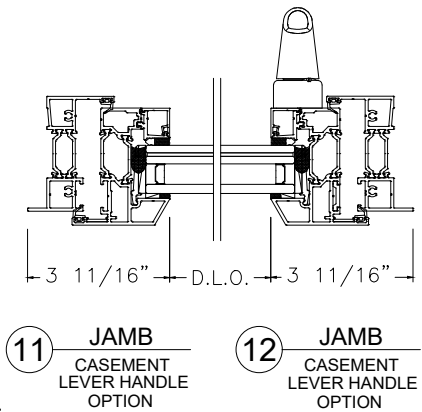
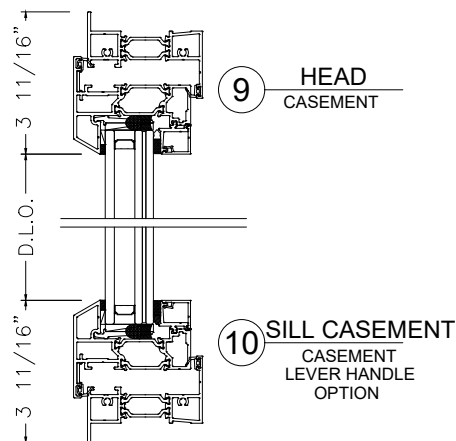
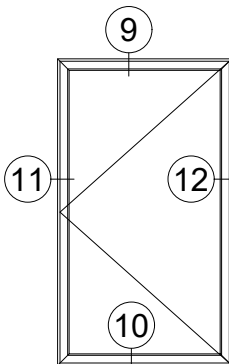
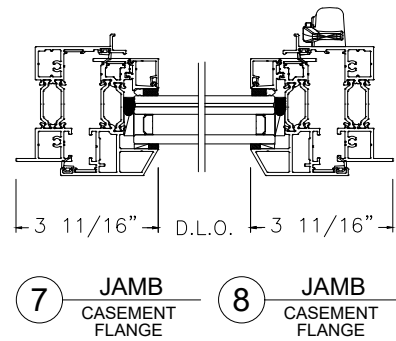
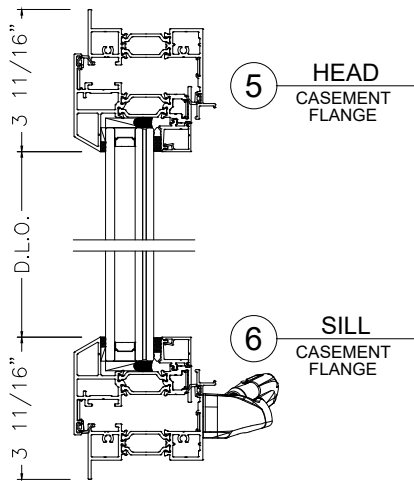
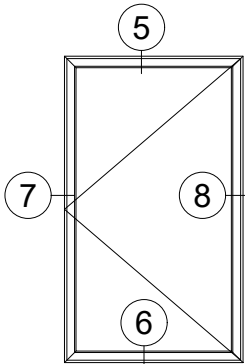
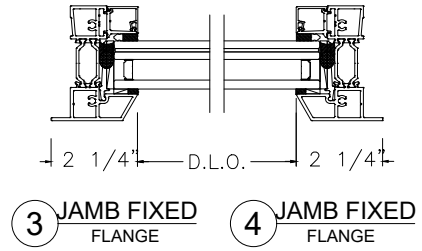
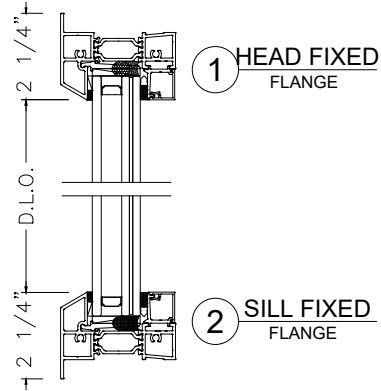
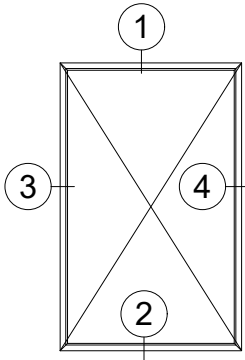
7 JAMB FIXED
NON-IMPACT
WITH MUNTIN

8 JAMB FIXED
NON-IMPACT
WITH MUNTIN

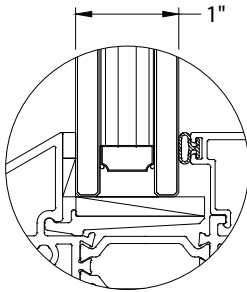
System details



System details

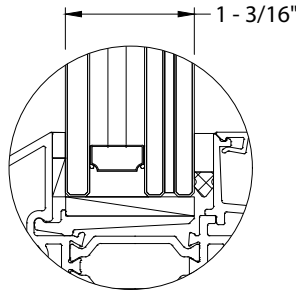


Glazing options



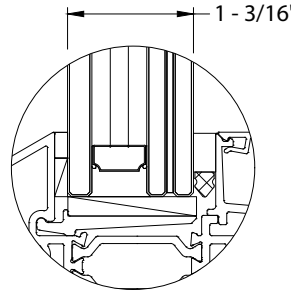
GL-1
(N.I.)

INSULATED
GLASS



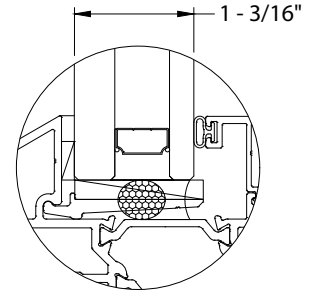
GL-2
(L.M.I.)

INSULATED
LAMINATED GLASS



GL-2b
(S.M.I.)

INSULATED
LAMINATED GLASS



GL-3
(N.I.)

INSULATED
GLASS

GL-1: 1/4" TEMP GLASS + 1/2" AIR SPACER + 1/4" TEMP GLASS.

GL-2: 1/4" TEMP GLASS + 1/2" AIR SPACER + 3/16" HS GLASS + 0.09PVB + 3/16" HS GLASS.

GL-2b: 1/4" TEMP GLASS+ 1/2" AIR SPACER + 3/16" HS GLASS + 0.06 PVB + 3/16 " HS GLASS.

GL-3: 3/8" TEMP GLASS + 1/2" AIR SPACER + 1/4" TEMP GLASS.

GLASS FINISH: PAINTED, SERIGRAPHY & DIGITAL PRINTED.

For more information please contact TECNOGLASS or visit www.tecnoglass.com

Aluminum

ALLOY 6063-T6
ALLOY 6005-T5

For further information about aluminum and finishes, consult ALUTIONS®.

Sealant

APPROVED SILICONE SEALS:

WEATHERPROOFING SILICONE:

Used to seal profile unions to avoid air and water infiltration.

STRUCTURAL SILICONE:

Besides acting as a sealant it is capable to support high loads. This silicone is commonly used to support the glass in facades and hurricane resistant products.

Measurements

Minimum tested size:

Awning (handle): 22 11/16" width x 28 1/16" height.

Awning (roto-operator): 23" width x 32 1/16" height.

Casement (handle): 27" width x 30" height.

Casement (roto-operator): 28 1/16" width x 22 1/16" height.

Fixed: 24" width/height x 36" width/height.

Maximum tested size:

Awning: 60" width x 46 1/8" height.

46 1/8" width x 60" height.

Casement (handle): 60" width x 96" height.

Casement (roto-operator): 60" width x 84" height.

Fixed: 57" width x 96" height.

78" width x 66" height.

Certifications might not consider every configuration. Tests values correspond to the highest values obtained for some configurations; they can vary and may not apply to all. **VERIFY APPROVAL FOR EACH SPECIFIC CONFIGURATION.**