

SLIDING GLASS DOOR

www.eswindows.com

ES-SGD2020T



System description

- Small and large missile impact rated.
- Frame depth 2 track: 5 3/8"; 3 track: 8 3/16"; 4 track: 11 1/16".
- Sight line: 2".
- Sill height: 1 7/8" (without sill riser); 2 5/8" (sill riser 6 PSF); 3 1/8" (sill riser 8 PSF); 3 11/16" (sill riser 10 PSF); 4 1/4" (sill riser 13 PSF).
- Designed for 1" insulated, 1-1/8" insulated and 1 - 5/16" insulated laminated glass.

Features

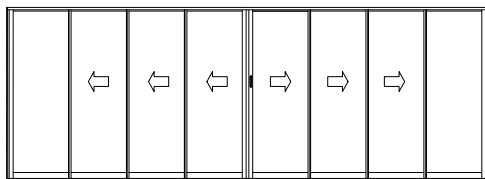
- High quality adjustable rollers.
- 90° and 135° corner options available.
- ADA sill and ADA flush sill option available.
- 2,3 and 4 track options available. (certifications might not apply to every configuration).
- Fully thermally broken.
- Anodized, painted and wood grain finishes available.

Test & Certifications

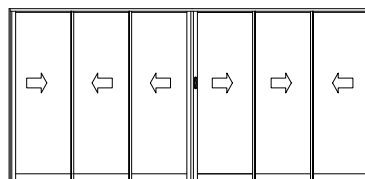
- Design loads: +/- 105 PSF.
 - Water infiltration: 13 PSF.
 - Air infiltration: 6.24 PSF.
 - U-value (SB70 Clear): 0.34; SHGC (SB70 Clear): 0.216.
 - This product has been designed and tested to comply with Florida Building Code (FBC).
- This data corresponds to the best values obtained for some configurations. It can vary and may not apply to all.

Configurations

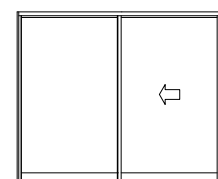
Four Tracks



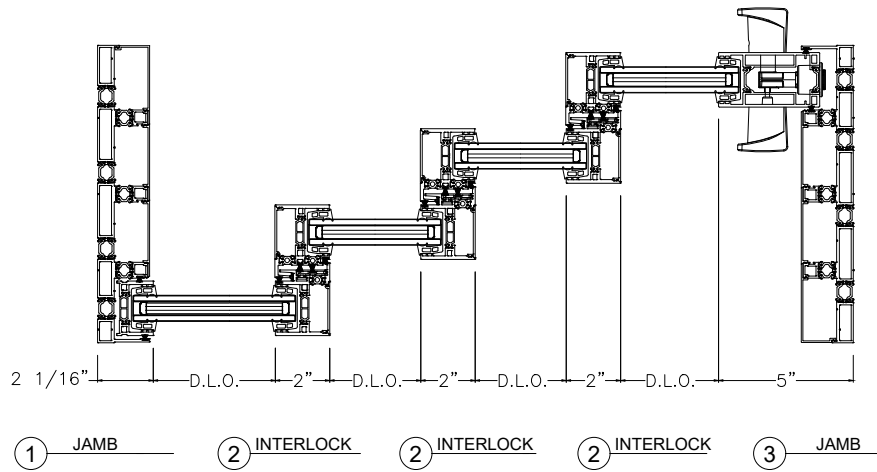
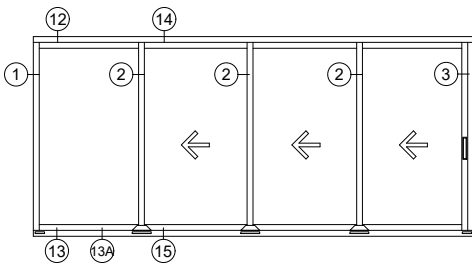
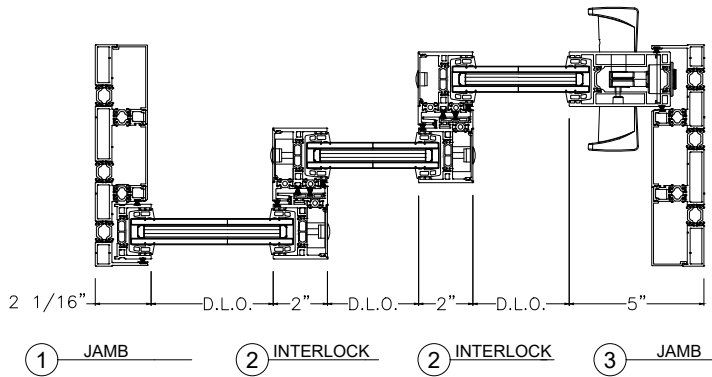
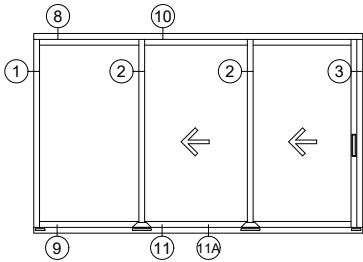
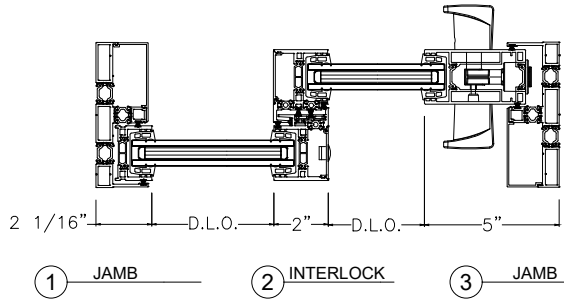
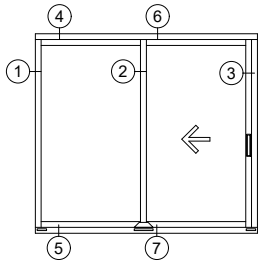
Three Tracks



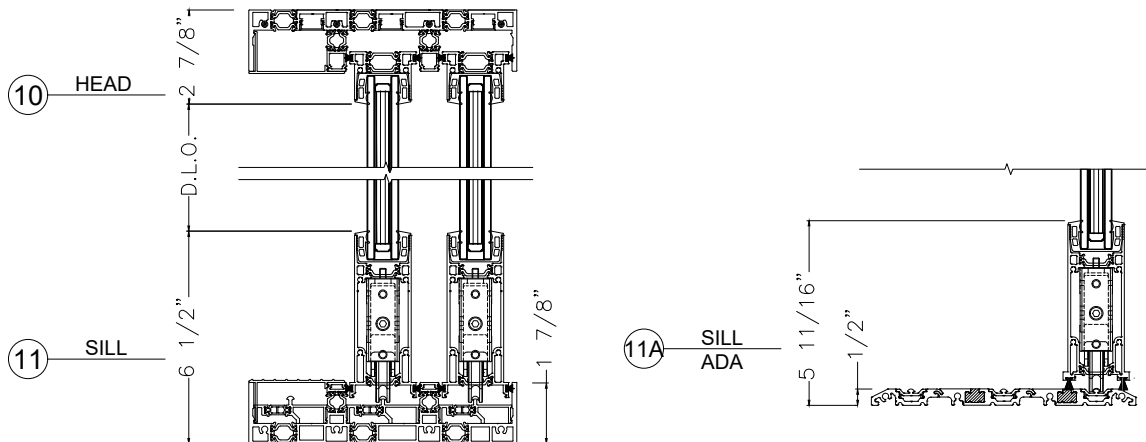
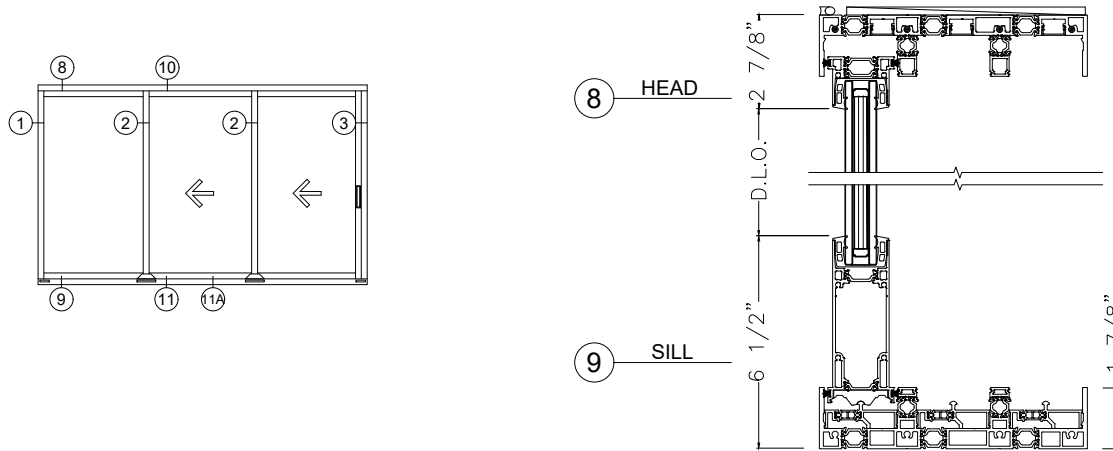
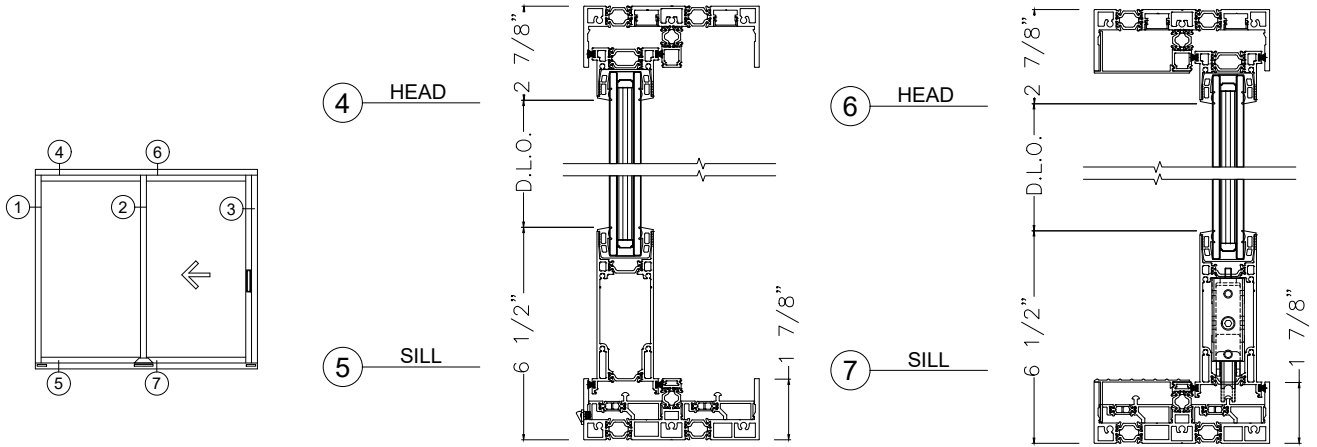
Two Tracks



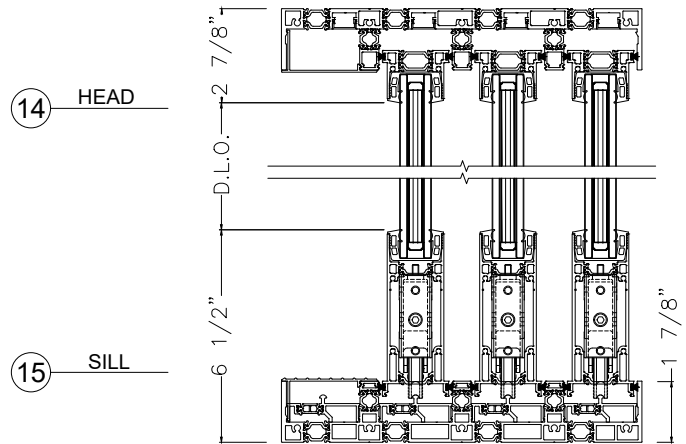
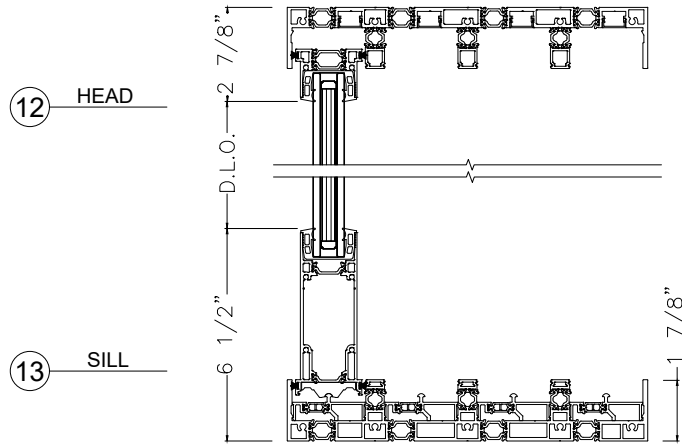
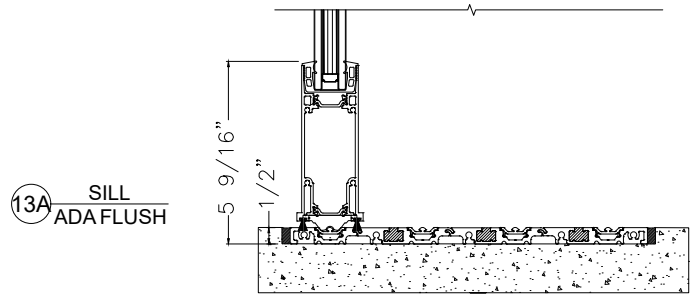
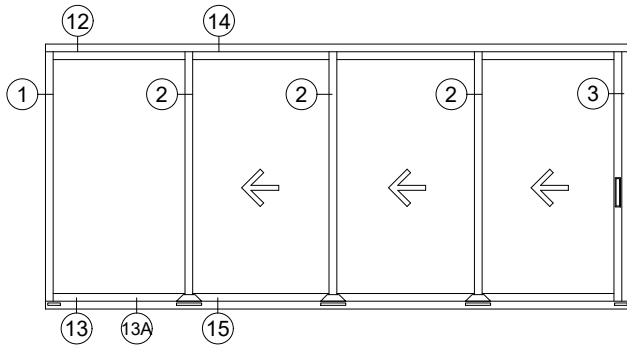
System details



System details

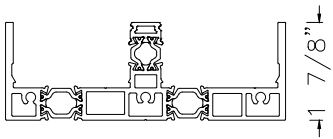


System details

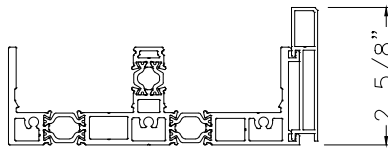


Sill riser options

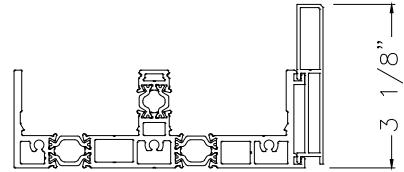
Without sill riser
3 PSF



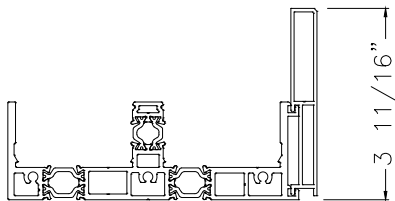
6 PSF



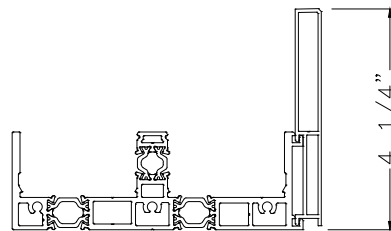
8 PSF



10 PSF

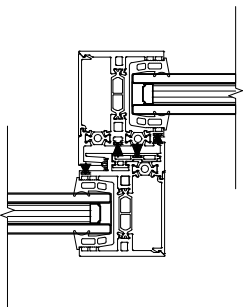


13 PSF

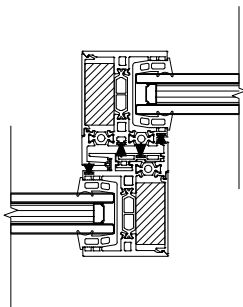


Reinforcement options

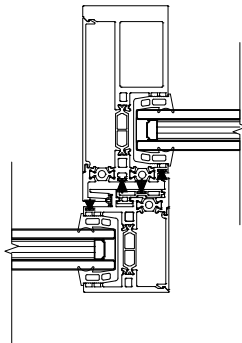
Without reinforcement



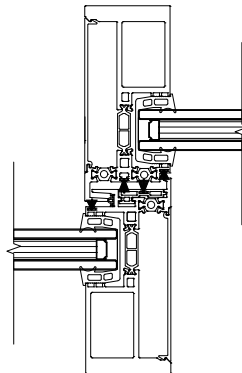
Level 1



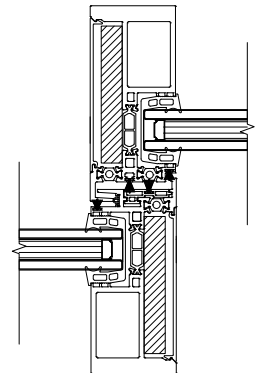
Level 2



Level 3

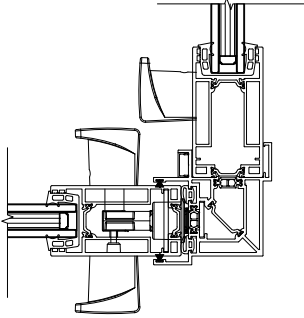


Level 4

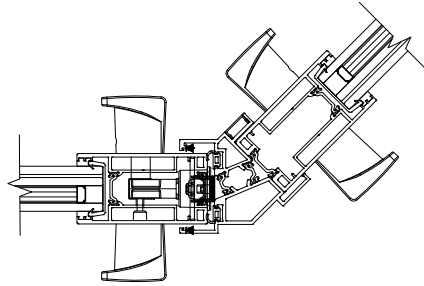


System details

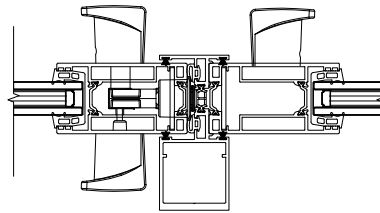
90° corner option + crest handle



135° corner option + crest handle

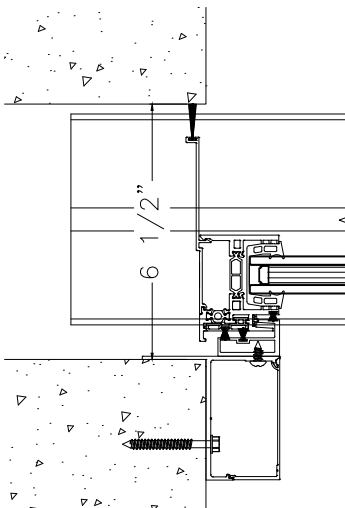


Astragal option + crest handle

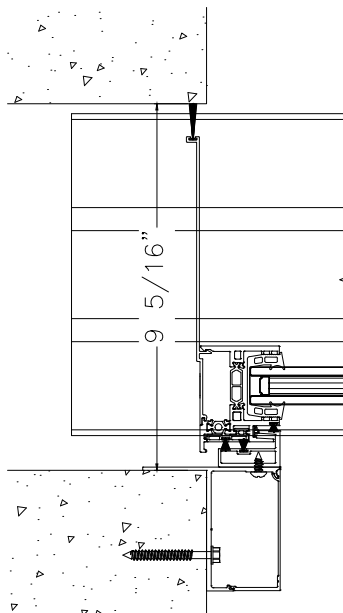


Pocket options

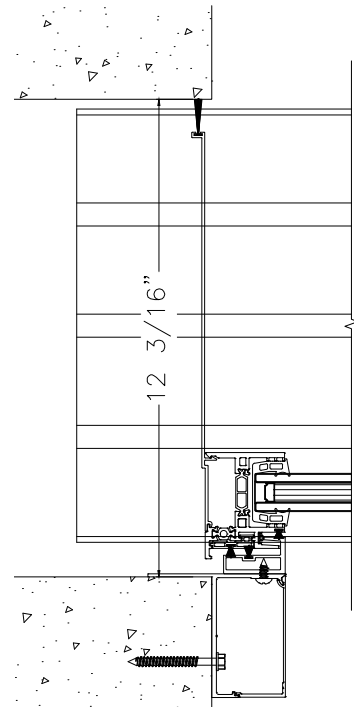
Two track



Three track

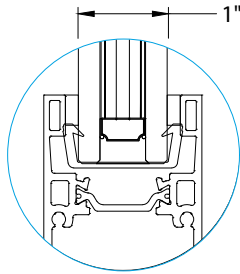


Four track



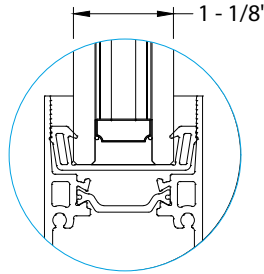
Glazing options

(NOT CERTIFICATED)
INSULATED
GLASS



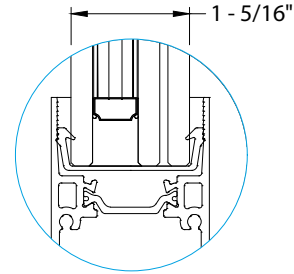
GL-1

(N.I.)
INSULATED
GLASS



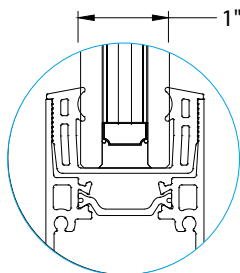
GL-2

(L.M.I.)
INSULATED
LAMINATED GLASS



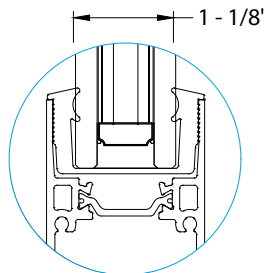
GL-3

(NOT CERTIFICATED)
INSULATED
GLASS



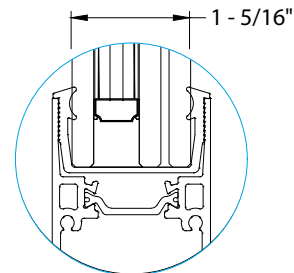
GL-1

(N.I.)
INSULATED
GLASS



GL-2

(L.M.I.)
INSULATED
LAMINATED GLASS



GL-3

GL-1: 1/4" FT + 1/2" AIR SPACER + 1/4" HS.

GL-2: 1/4" FT + 5/8" AIR SPACER + 1/4" HS.

GL-3: 1/4" FT + 1/2" AIR SPACER + 1/4" HS + 0.09 SGP + 1/4" HS.

GLASS FINISH: PAINTED, SERIGRAPHY & DIGITAL PRINTED.

For more information please contact TECNOGLASS or visit www.tecnoglass.com

Aluminum

ALLOY 6063-T6
ALLOY 6005-T5
For further information about aluminum and finishes, consult ALUTIONS®.

Measurements

Maximum panel size: (non impact)	Maximum panel size: (impact)
Width: 90". Height: 156".	Width: 72". Height: 132".

Sealant

APPROVED SILICONE SEALS:

WEATHERPROOFING SILICONE:
Used to seal profile unions to avoid air and water infiltration.

STRUCTURAL SILICONE:
Besides acting as a sealant it is capable to support high loads. This silicone is commonly used to support the glass in facades and hurricane resistant products.